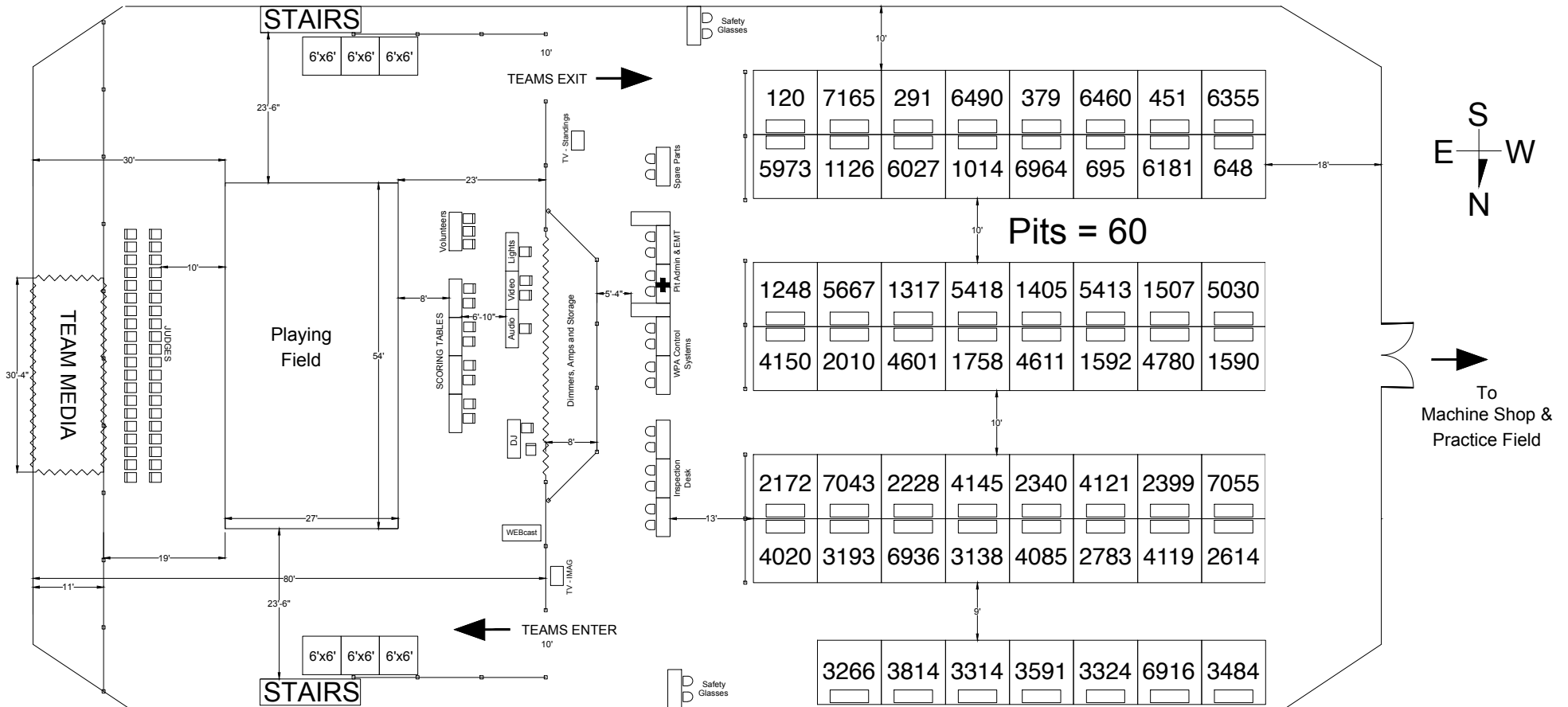


# FIRST Buckeye Regional 2018

## March 28 - 31, 2018



Inventory as of 12/04/2017

Dimension	Size	Qty	SqFt
10'x10'	100	60	6,000
Totals:		60	6,000

Regional Name:	FIRST Buckeye Regional 2018
Regional Date:	March 28 - 31, 2018
Facility:	Cleveland State University
Portion of Facility/Hall:	Wolstein Center
City, State:	Cleveland, Ohio
Aisle Size Unless Noted:	9'
Number of Pit Spaces:	60
Pit Booth Size Unless Noted:	10' x 10'
Table Size Unless Noted:	2' x 6'

### DISCLAIMER

Every effort has been made to insure the accuracy of all information contained on this floor plan. However, no warranties, either expressed or implied, are made with respect to this floor plan. If the location of building columns, utilities, or other architectural components of the facility is a consideration in the construction or usage of an exhibit, it is the sole responsibility of the exhibitor to physically inspect the facility to verify all dimensions and locations.

Original Drawing: 11-03-2008  
Revised: cwh 12/5/17

